

VIADRUS

Power of heating

Prometheus

Cast-iron fireplace inserts

Perfect heat source for weekend houses and stylish buildings and/or compartments. Cast iron material guarantees long life time and ideal heat transfer into a room. The Prometheus cast-iron fireplace insert is made in two versions – with panoramic (Fratto) and flat (Piatto) glass.

Advantages:

- long service life of the cast-iron construction
- secondary combustion
- both panoramic and flat version
- assembled delivery
- simple operation and maintenance
- easy installation

Fuel / fuel humidity:

- wood, wooden briquettes / <20%

Fireplace insert output (according to type):

- 9 kW / 13 kW



Technical parameters

Type		Prometheus Fratto		Prometheus Piatto		
		panoramic	panoramic	flat	flat	flat
Glass shape	-	panoramic	panoramic	flat	flat	flat
Version	-	51	501	53	503	73
Rated output	kW	9	9	9	9	13
Max. heated space	m ³	150	150	150	150	380
Fuel consumption	kg/hour	3,0	3,0	3,0	3,0	4,5
Efficiency	%	67	67	67	67	73
Flue gases temperature	°C	370	370	370	370	340
Visible width x height	mm	500x425	500x445	500x425	500x445	680x525
Overall width x height	mm	500x540	500x560	500x540	500x560	680x610
Depth	mm	425	425	390	390	440
Weight	kg	80	81	75	77	144
Chimney connection diameter	mm	150	150	150	150	200
Chimney draught	Pa	11±2	11±2	11±2	11±2	11±2



Fratto 51
panoramic glass
hidden ashpan



Fratto 501
panoramic glass
visible ashpan



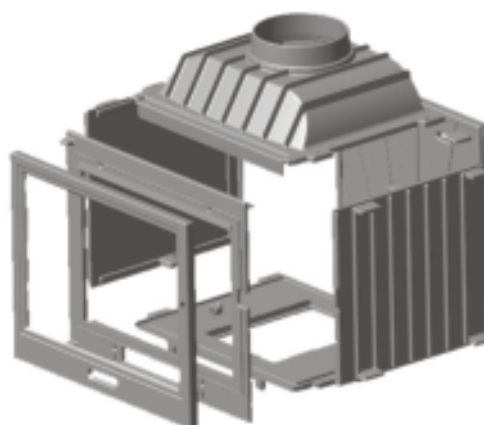
Piatto 53
flat glass
hidden ashpan



Piatto 503
flat glass
visible ashpan



Piatto 73
flat glass
hidden ashpan



Assembly scheme of cast-iron
fireplace insert

Your dealer