

VIADRUS

Power of heating

Bohemia, Hellas

Retro-style cast-iron radiators

Traditional material and retro design meet in these radiators. Bohemia, Bohemia R and Hellas radiators fits into historic or retro style interiors with no doubt. It is perfect for reconstruction of heating systems in historical buildings. We can deliver blocks in size and color as per customer`s request. Very special "industrial" look can be reached using special clear coating on clear untouched or sand-blasted cast-iron surface. Ageless and authentic style of cast-iron radiators creates famed "warm feeling of your home" together with perfect technical parametres and really unlimited service life. Cast iron sectional radiators are perfect for home architects to create individual design for each interior. Bohemia R radiators are decorated with embossed floral motif on section sides.

Advantages:

- virtually unlimited service life
- ageless and authentic retro design
- standard 10-section blocks and factory-assembled blocks with 20-year warranty
- optional final coating in RAL colors
- optional industrial look with clear coating
- floor standing

Heat carrier:

- water, steam, antifreezer

Output (according to type and size):

- 70~196 W/section

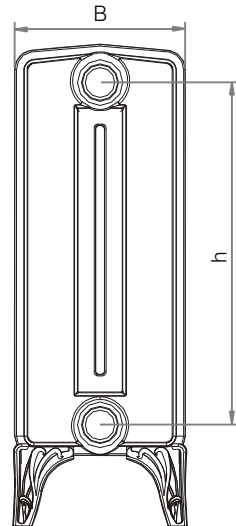
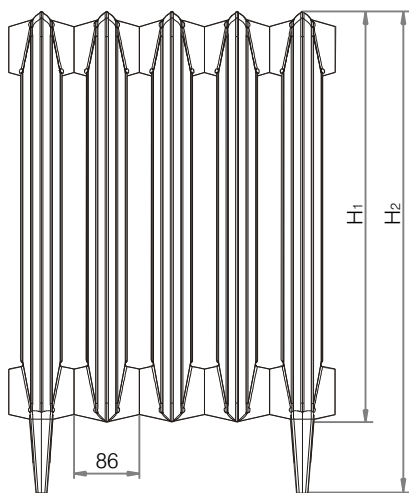


Technical parameters

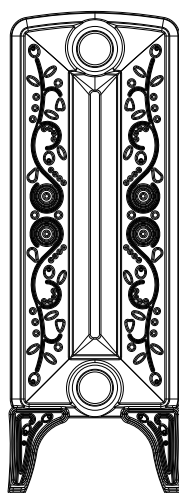
Radiator type and identification	Nipple spacing h [mm]	Total depth B [mm]	Total height H ₁ (H ₂) [mm]	Nipple thread [-]	Dry weight [kg/section]	Heating output Δt=75/65/20°C [W/section]	Heating surface [m ² /section]	Water volume [l/section]	
Bohemia	450/225 w/o feet	450	540	5/4"	9,9	110,0	0,190	1,30	
	450/225 w/ feet	450	634	5/4"	11,4	110,0	0,190	1,30	
Bohemia R	450/225 w/o feet	450	540	5/4"	10,3	110,0	0,190	1,30	
	450/225 w/ feet	450	640	5/4"	11,8	110,0	0,190	1,30	
	800/220 w/o feet	800	220	890	5/4"	16,3	169,0	0,530	4,30
	800/220 w/ feet	800	220	990	5/4"	17,5	169,0	0,530	4,30
Hellas	270/218 w/o feet	270	340	5/4"	4,9	70,0	0,190	0,85	
	270/218 w/ feet	270	410	5/4"	5,4	70,0	0,190	0,85	
	470/218 w/o feet	470	218	540	5/4"	7,2	108,0	0,290	1,16
	470/218 w/ feet	470	218	610	5/4"	7,7	108,0	0,290	1,16

Thermal and technical parameters are verified experimentally in compliance with EN 442-1 amendment A1 for water as heat carrier.

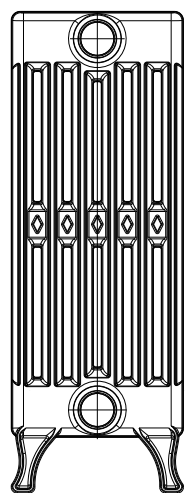
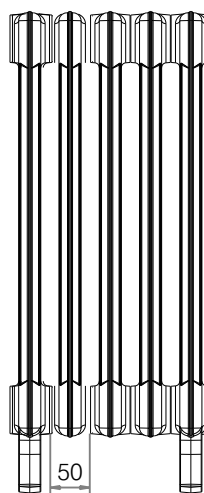
Bohemia / Bohemia R



Bohemia / Bohemia R



Hellas



Matching retro-style radiator valves



Standard Bohemia section w/o embossed floral motif



Bohemia - sample installation w/ respect to its style



Your dealer

This is only an illustrative and informative matter.