

VIADRUS

Power of heating

Kalor, Kalor 3, Termo

Cast-iron radiators

Kalor radiators are the most classic common type of cast-iron radiators. It is very easy to use them for replacement or add-on in case of heating system reconstruction. The size, connection spacing, shape - all is the same as the years before. It works both in natural and forced circulation heating systems - depending on pipe sizing and thermostatic valve use. Kalor 3 is nearly the same but with front panel. Termo radiators looks a little bit more "lightweight" and uses less water inside, shape is similar to Kalor 3. Standard production is in ten-pieces blocks with white color water-based paint. It is possible to deliver blocks in size and color as per customer`s request. All of these models are compatible with integrated thermostatic valve (ITV) with bottom water connection. Special "industrial" look can be reached using clear coating on untouched or sand-blasted cast-iron surface.

Advantages:

- virtually unlimited service life
- easy to clean and hygienic operation (Kalor)
- bottom connection and integrated valve compatible
- classic design
- standard 10-section blocks and factory-assembled blocks with 20-year warranty
- optional final coating in RAL colors
- possibility of additional output change
- variable heating output

Heat carrier:

- water, steam, antifreezer

Output (depends on type and size):

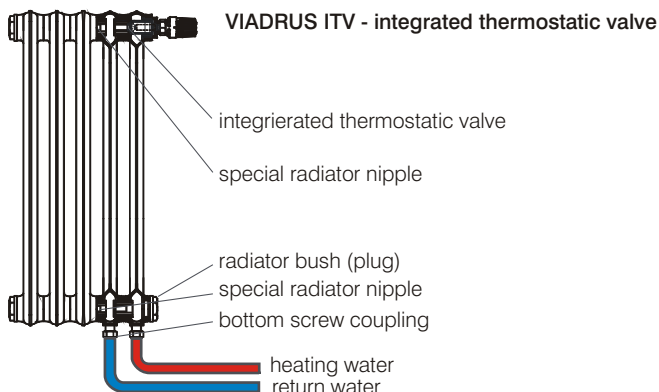
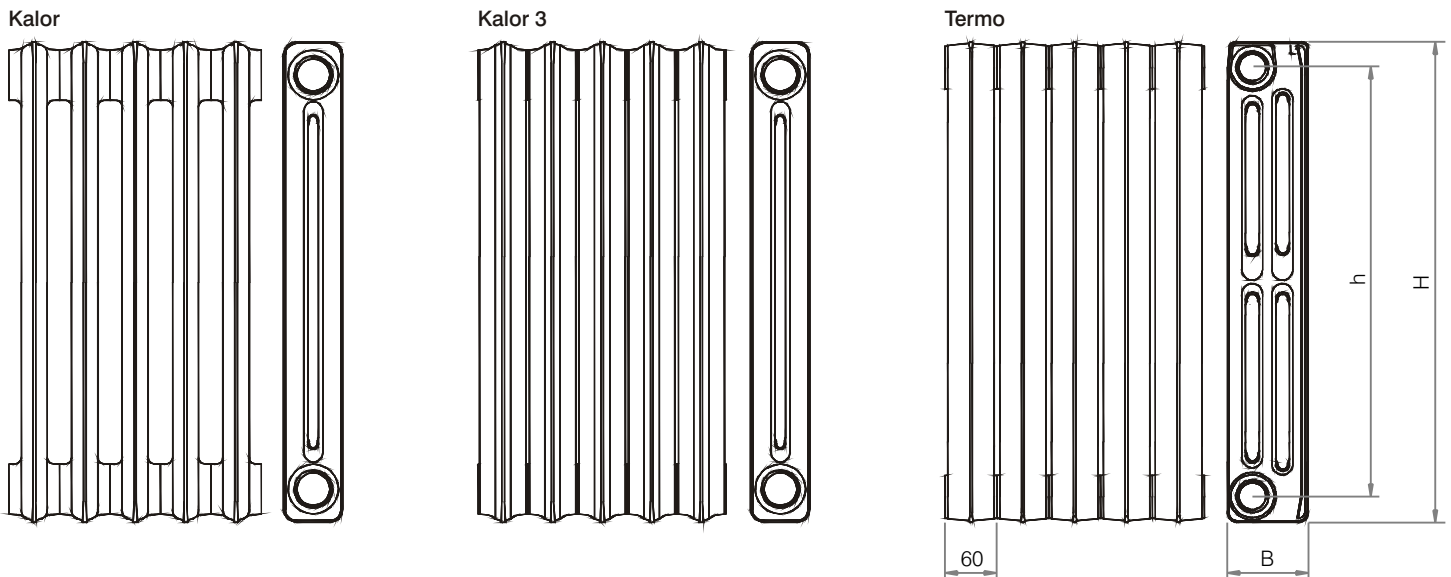
- 53,8~149,7 W/section



Technical parameters

Radiator type and identification	Nipple spacing h [mm]	Total depth B [mm]	Total height H [mm]	Nipple thread [-]	Dry weight [kg/section]	Heating output $\Delta t=75/65/20^{\circ}\text{C}$ [W/section]	Heating surface [m ² /section]	Water volume [l/section]
Kalor 350/160	350	160	430	5/4"	4,30	70,3	0,185	0,8
500/70	500	70	580	5/4"	3,20	53,8	0,120	0,5
500/110	500	110	580	5/4"	4,00	70,3	0,180	0,8
500/160	500	160	580	5/4"	5,60	91,7	0,255	1,1
500/220	500	220	580	5/4"	6,95	119,7	0,345	1,3
600/160	600	160	680	5/4"	6,60	109,8	0,306	1,2
900/70	900	70	980	5/4"	5,20	82,9	0,205	0,8
900/160	900	160	980	5/4"	10,60	149,7	0,440	1,5
Kalor 3 350/160	350	160	430	5/4"	4,90	82,9	0,208	0,8
500/70	500	70	580	5/4"	3,70	60,8	0,163	0,5
500/110	500	110	580	5/4"	4,70	78,3	0,215	0,8
500/160	500	160	580	5/4"	6,20	102,2	0,290	1,1
900/70	900	70	980	5/4"	6,10	95,8	0,240	0,8
Termo 500/95	500	95	560	1"	4,35	73,4	0,192	0,6
500/130	500	130	560	1"	5,36	91,0	0,254	0,8
623/95	623	95	683	1"	5,08	88,7	0,230	0,8
623/130	623	130	683	1"	6,46	108,8	0,303	1,0
813/95	813	95	873	1"	6,70	109,3	0,310	1,0
813/130	813	130	873	1"	8,80	136,1	0,380	1,3

Thermal and technical parameters are verified experimentally in compliance with EN 442-1 amendment A1 for water as heat carrier.



This is only an illustrative and informative matter.